



**STERLING**<sup>®</sup>  
SYSTEMS & CONTROLS, INC.  
Automation ~ Batching ~ Process ~ Systems

## AUTOMATIC INGREDIENT BATCHING SYSTEMS

### Benefits:

- Custom designed and manufactured using standard components for your specific application
- Superior dependability
- Superior system performance (accuracy and throughput)
- Flexible & expandable; Mechanical system only, or with electrical controls, or full featured with electrical controls and automation
- Meet Food, Feed & Petfood safety requirements providing material traceability, batch validation with ingredient lot tracking using Sterling's automation system
- Remote supervisory control and ERP system integration available using Sterling's automation system

### Typical Features:

- Industrial grade screw feeders
- Multiple-speed feeders
- Vibratory feeders available
- High performance scales (up to 0.001lbs resolution)
- Lightweight scale designs
- Multiple scales
- Materials fit application (SS, Steel)
- Variety of supply bin sizes, bulk bags and totes
- Controls and automation available
- Barcode/RFID scanning of ingredients available
- Options include Locking Bin Lids, Dust Hoods, Dust Collection and more

TOLL FREE: 1-800-257-7214  
[www.sterlingcontrols.com](http://www.sterlingcontrols.com)

# ACCU-PORION™ MICRO/BULK BAG INGREDIENT BATCHING SYSTEMS



Automatic Ingredient Batching Systems by Sterling Systems & Controls, Inc. come in many sizes and shapes. Unlike our competitors that typically make a “standard” system and work to force fit your needs into it, Sterling Systems custom designs each ingredient batching system after a thorough review of your specific requirements. No two systems are really alike. You get what you need, and what you want, the way you want it.

Micro or Bulk Bag, our automatic ingredient batching systems provide unique high value features, including:

- Industrial grade screw feeder assemblies
  - Bearings at each end
  - Seals and Seal Plates keep material out of bearings
  - Air Gaps between seals and bearings
- High accuracy/resolution scales
- Multiple scales used to increase accuracy, performance and speed

Sterling Systems & Controls ingredient batching systems are modular in design. They are easily expanded; many customers focus first on the most frequently used raw materials and later expand the batching systems to incorporate more raw materials over time.

A typical batching system includes supply bins, feeders, scales & support structures. Supplied batching systems have included from one (1) to eight (8) ingredient scales, with from 1 to 48 supply bins and feeding devices (more can be accommodated).

1-815-625-0852 • [sci@sterlingcontrols.com](mailto:sci@sterlingcontrols.com)

Most commonly used feeders are screw (auger) type. These feeders range in size from 2" to 6" with a variety of auger flight configurations. Vibratory feeders can be provided in a wide variety of sizes, feed rates, and styles to fit almost any application.

Common options include Locking Bin Lids and Barcode/RFID Scanning to aid Ingredient lot tracking, Dust Hoods to allow for Dust Control, complete Dust Collection Systems, and more.

## KEY BENEFITS

**SUPERIOR PERFORMANCE & DEPENDABILITY:** Multiple scales of high accuracy and resolution mean superb overall performance. Unique screw feeder design and operation provides long dependable life and superior performance.

**CUSTOM DESIGNED, WHAT YOU NEED/WANT:** We do not have a "standard" system that we force our customers into. We want to give you exactly what you need and want in your ingredient batching system. No two systems are alike.

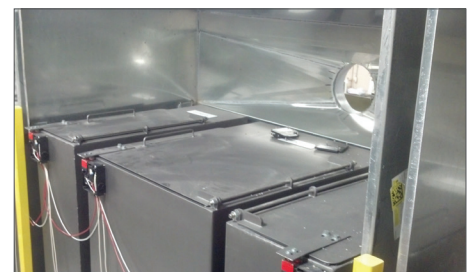
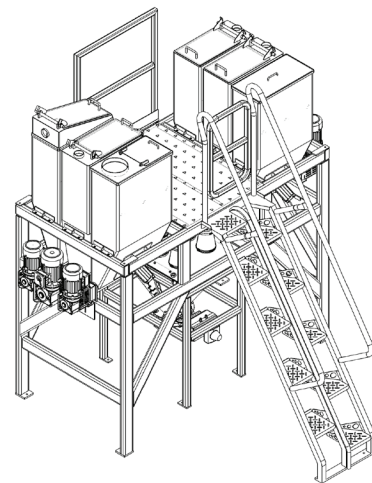
**MATERIAL TRACEABILITY & BATCH VALIDATION:** Feed safety and that of Petfood and foodstuffs for human consumption, is of paramount importance. When your ingredient batching system is equipped with Sterling controls and automation, lot tracking tools for material traceability, and batch validation are available to help you meet safety standards and requirements. Barcode and RFID scanning capability can be provided.



**Figure 1: Twelve (12) Bin Micro Ingredient System with Four (4) Bulk Tote Bins; System Uses Three (3) Ingredient Scales and One (1) Batch Check Weigh Scale; Seven (7) 3" Auger and Five (5) 4" Auger Multiple Speed Feeders.**



**Figure 2: Twenty-Four (24) Bin Micro Ingredient System with Eight (8) Bulk Bag Bin Inlets; System Uses Four (4) Micro Scale Hoppers; Sixteen (16) 3" Auger and Eight (8) 4" Auger Multiple Speed Feeders; Weigh Cycle 2-3 Minutes (Prior to installation of micro system batch cycle time was 10-13 minutes)**



**Figure 3: Drawing illustrates several optional bin lids for bin filling; Picture shows optional locking bin lids with dust collection hoods.**



**STERLING**  
SYSTEMS & CONTROLS, INC.  
Automation ~ Batching ~ Process ~ Systems

**1-815-625-0852**  
**sci@sterlingcontrols.com**

Serving your processing needs for over 45 years.