

Shick Ledge Free (SLF) Sight Glass



COMPONENTS



BULK



MINORS



LIQUIDS



CONTROLS



SITE SERVICES



**SHICK
ESTEVE**TM
LINXIS GROUP

Shick Ledge Free (SLF) Sight Glass

INFORMATION

Shick Esteve's Ledge Free (SLF) Sight Glass is designed to eliminate the ledges inside of a sight glass assembly. The elimination of the ledges is accomplished by a controlled internal diameter on the opening of each piece at the intersection of the clear plastic tube and stainless steel connector. An o-ring is used to seal the end connector to the plastic tube at each end.

Stainless steel tie rods are used to hold the connectors to the ends of the tube. The SLF Sight Glass is available in pipe or tube within each of the nominal sizes. The end connector can be made with a variety of choices for connection in a tubular conveying system.

STANDARD FEATURES

304 S/S ends and tie rods

Ledge-free internal passage

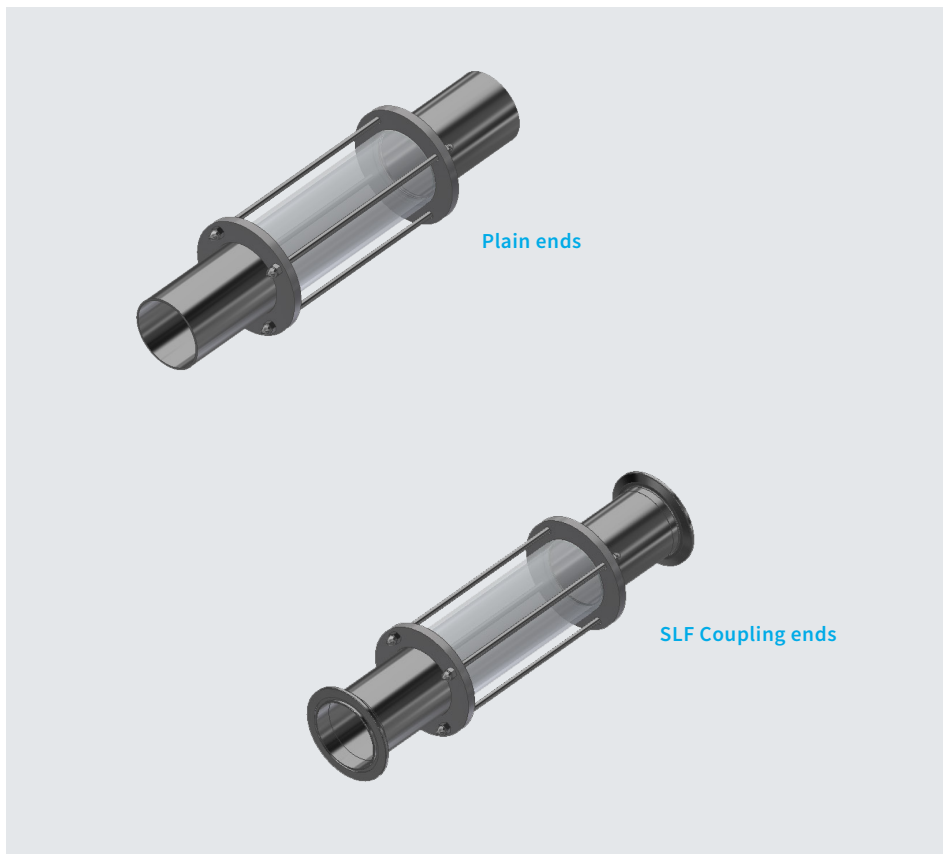
Sizes available in tube and pipe

Clear tube is replaceable

Plain end fittings

OPTIONS

SLF Coupling ends



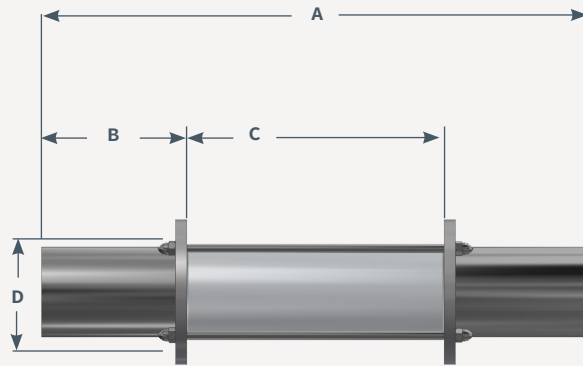
SLF Sight Glass

Nominal size (inches)	Part No. plain ends	Part No. SLF ends	A Dimension	B Dimension	C Dimension	D Dimension	Connector Wall
3" tube	A1002046	A1002179	24	6 3/8	11 1/4	5 3/8	11 Ga. (.120")
3" pipe	A1002043	A1002180	24	6 3/8	11 1/4	5 7/8	Sch. 10
4" tube	A1002035	A1002181	24	6 3/8	11 1/4	6 3/8	11 Ga. (.120")
4" pipe	A1002030	A1002182	24	6 3/8	11 1/4	6 7/8	Sch. 10
5" tube	A1002052	A1002183	24	6 3/8	11 1/4	7 3/8	11 Ga. (.120")
5" pipe	A1002049	A1002184	24	6 3/8	11 1/4	7 7/8	Sch. 10
6" tube	A1002058	A1002185	24	6 3/8	11 1/4	8 3/8	11 Ga. (.120")
6" pipe	A1002055	A1002186	24	6 3/8	11 1/4	8 7/8	Sch. 10

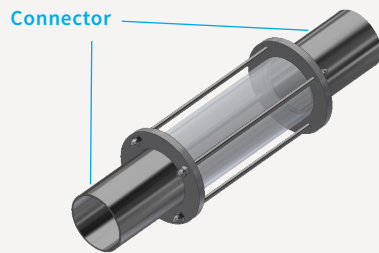
Other sizes are available. Contact Shick Esteve Component Sales.

ATTENTION: Connections must be properly aligned and piping must be supported in a manner that does not add loading to the sight glass assembly. Improperly aligned couplings or piping that is not supported to eliminate loading on the sight glass will cause damage to the sight glass assembly. Operating temperature of 0°F (-17°C) to 120°F (49°C).

Schematics: Dimensional View



SLF Sight Glass Views



SLF Sight Glass with Plain Ends



SLF Sight Glass with SLF Couplings

shickesteve.com

4346 Clary Blvd, Kansas City, MO 64130, USA

O: 816 861 7224

info@shickesteve.com

shickesteve.fr

4 place des Noyers 18220 RIANS, France

Tel: +33 (0) 2 48 66 60 60

info@esteve.fr