

Thiele Masterweigh™ 6162 Duplex Scale



Features

- State-of-the-art, electronic platform load cell for precise weightings between 20 to 110 lbs. (9 to 50 kg)
- Product weightings stabilize faster and are more accurate
- Extremely accurate two-stage weighing system with a choice of feed sections depending on the types of product to be weighed
- Computer control systems control and monitor the weighing operation, as well as storing data for future analysis of production runs
- Automatic calibration option is available

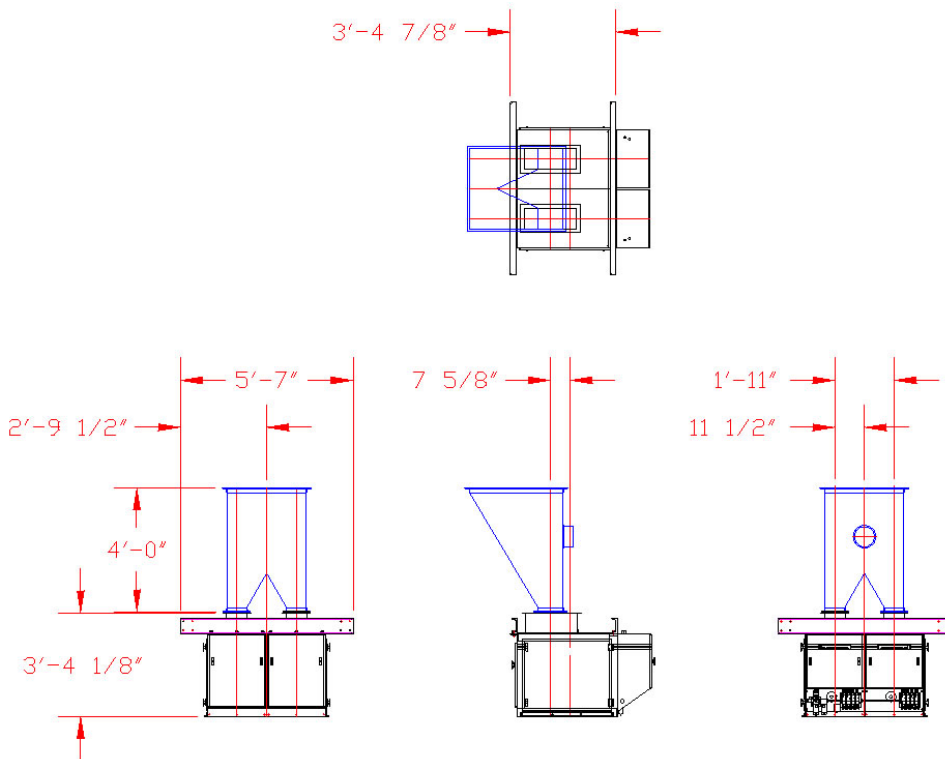
Thiele Masterweigh™ 6162 Duplex Scale

The Thiele Model 6162 MasterWeigh Duplex Scale combines two MasterWeigh Simplex scales within one framework. While one scale fills, the other dumps, dramatically increasing your bagging production.

Each scale provides extremely accurate, high-speed weighing of a wide range of products, from granular free-flowing products to semi free-flowing products.

The scale controls can be integrated into the bagger control program so you can operate the scale and bagger from one touchscreen.

All product contact surfaces are made of stainless steel. Plus, they are angled to enhance product flow and simplify cleaning. The electronic weigh system is isolated in a sealed, dust-free environment.



Specifications	
Production Speed	
Up to 20 cycle per minute, per scale, dependent on product	
Accuracy	
Two-stage bulk and dribble mode is typically $\pm .75$ oz. - 3 oz. (20-85 g) at 2 sigma, dependent on product	
Dimensions	
Depth	4 ft. (1219.2 mm)
Width	4 ft. 6 in. (1371.6 mm)
Height	Scale frame only: 2 ft. 8 in. (812.8 mm) With gravity bulk/gravity dribble: 3 ft. 4 in. (1016 mm) With gravity bulk/vibrator dribble: 3 ft. 4 in. (1016 mm) With two-speed belt: 4 ft. (1219.2 mm)
Power Requirements	
Input Power	115 volts, 1-phase, 0.764 amps
Control Circuit	24 VDC
Max Current Draw	Gravity bulk/gravity dribble: 6.0 amps Gravity bulk/vibrator dribble: 10.0 amps Two-speed belt: 20.0 amps
Air Requirements	
Operating Pressure	80 psi (551 kPa)
Line Pressure	90 psi (620 kPa)
Air Use/Cycle	0.25 cubic ft. (7.0 liters) max per bucket
Spout Sizes	
Taper Grip	6 in. (152.4 mm) and 8 in. (203.2 mm)
Power Grip Spout	6-7/8 in. x 9 in. (174.62 mm x 228.6 mm)
Elliptical Spout	8 in. x 10-3/16 in. (203.2 mm x 258.76 mm)
Round Spout	10.5 in. (266.7 mm)

Hayssen | Hudson-Sharp | Rose Foregrove | Sandiacre | Schib | Sionato | SYMACH | Thiele