

Innovative Automatic Inspection

G20 System



The G20 represents the most innovative offering in the field of automatic inspection.

Approved inspection suppliers and compliant to BRC, Tesco and M&S standards, the Sapphire G20 series is our most sought after and adaptable system with a wide range of capabilities.

Superior contaminant identification is achieved using Sapphire's exclusive capabilities for high sensitivity imaging thanks to our expertise in low energy technology.

Sapphire's G20 combines advanced linear array technology with inspection algorithms proven for the most difficult inspections.

Superior Performance

- Contaminant detection (metal, stone, glass, bone and certain plastics).
- Scanning for mass, missing or broken products.
- Detecting packing voids.
- Isolating reject based on contamination or check-weigh non-conformities.

Adaptable Configurations

- Flexible layout
- Available in curtainless configurations
- Binless, single or double reject bin options
- Integrated checkweigher option
- Seal verification option
- Standard and IP69K design



Key Features

- Adaptable ergonomic design
- Inspects wide product range including bulk flow
- Hygienic design, up to FMSA standard
- Quick and easy wash down
- Easy user interface and controls
- 24-hour worldwide system support

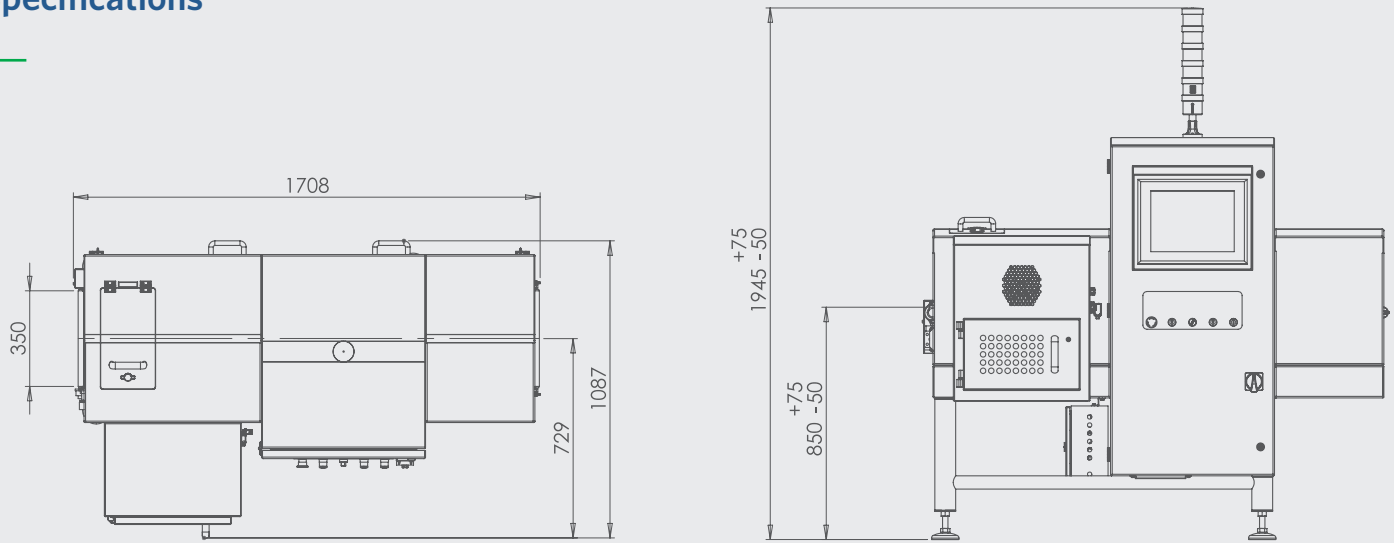
Sapphire SAC

9505 N. Congress Ave
Kansas City, MO 64153
USA

t (US): +1 (816) 355- 5013 | m (US): +1 (224) 401-8257
t (UK): +44 (0) 1763 853 399
e: enquiries@sapphiresac.com



Specifications



G20 Specifications

Technology	Computer-controlled 'Low Energy' Technology
X-Ray Generator	Various specifications from 40kV to 70kV
Conveyor Speed	0-100 m/min computer controlled
Detector Array Length	Up to 358 mm
Maximum Line Rate	4000 lines per second
Resolution	4096 grey levels per pixel
Video Display	15" colour touchscreen with real-time images and diagnostics
Calibration	Self-Calibrating during normal operation
Detection Limit	0.4-1.2 mm stainless steel typical, dependent on product
Inspection Rate	Up to 400 packs/minute
Power Requirements	110 VAC or 200-240 VAC at 500VA
Dimensions (LxWxH)	1610 x 890 x 1475 mm or 2340 x 890 x 1475 mm



**Pembroke College
Cambridge**

Corporate Partner of Pembroke College, Cambridge

Sapphire - Always at the forefront

Formed in 2006 from founding research and design parent company Cheyney, Sapphire is renowned as the innovator of low energy inspection.

With stellar designers and Cheyney technology, our Sapphire systems are quick to install, easy to use and unrivalled in the industry for speed, sensitivity and sophistication of detection.



Sapphire SAC

9505 N. Congress Ave
Kansas City, MO 64153
USA

t (US): +1 (816) 355- 5013 | m (US): +1 (224) 401-8257
t (UK): +44 (0) 1763 853 399
e: enquiries@sapphiresac.com

