

PET FOOD PROCESSING SOLUTIONS

**COMPLETE
PROCESSING
LINES**

scansteel
foodtech



carsoe

**PLATE
FREEZERS**

**AUTOMATED
BLOCK
HANDLING**

MESMEC
More from raw

SEMI STAAL



**INDUSTRIAL
WASHING
SYSTEMS**

**CONTINUOUS
COOKING**

GOLD PEG

SAPPHIRE
X-RAY INSPECTION SOLUTIONS



**X-RAY
INSPECTION
SOLUTIONS**

OTHER SOLUTIONS:

p.u.l.s.o.t.r.o.n.i.c

METAL DETECTION

JIMCO
UV-C & OZONE
Technology

AIR TREATMENT

MAGNATTACK
GLOBAL

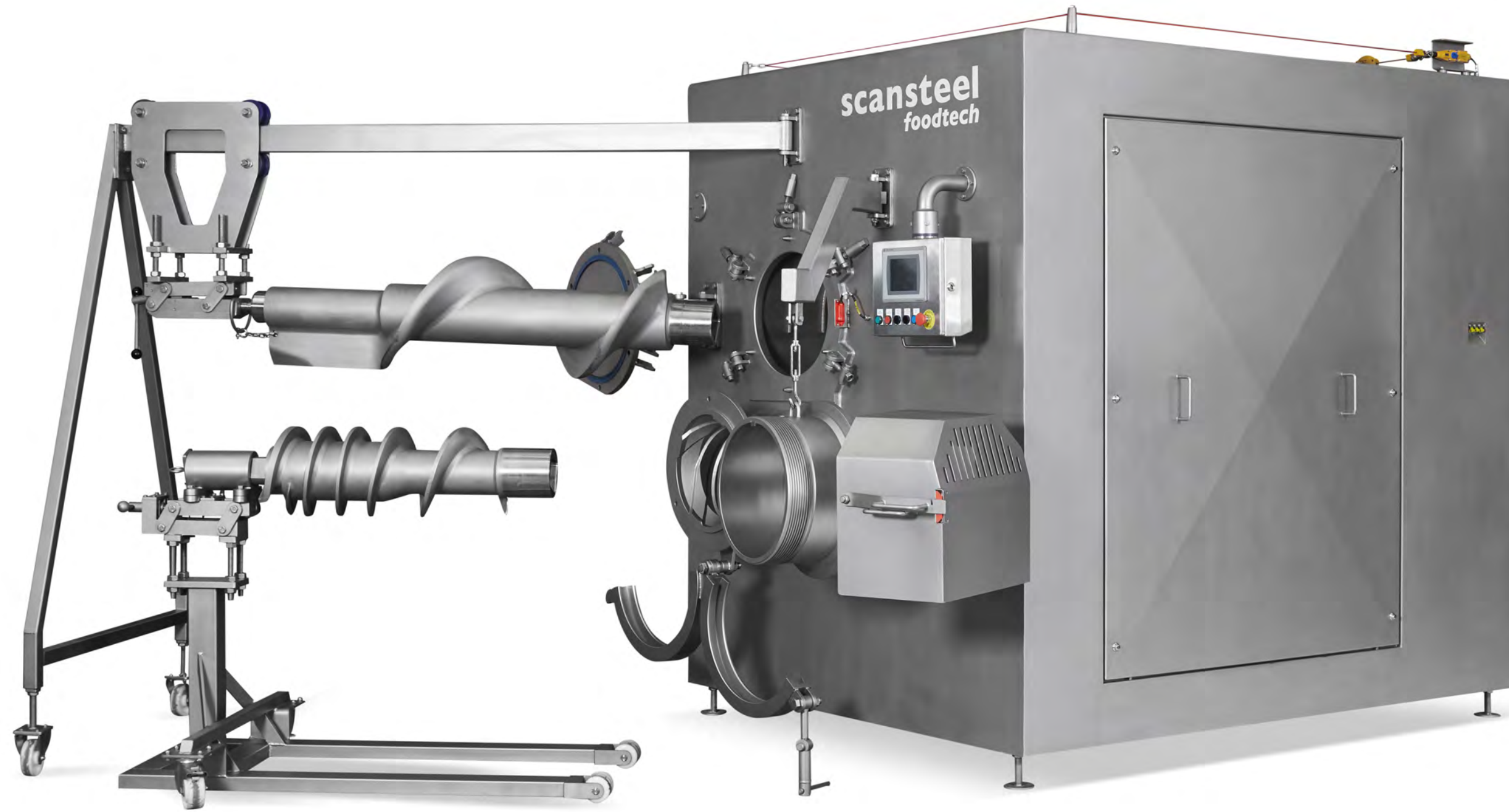
MAGNETIC SEPARATOR

SCAN AMERICAN



GRINDING AND MIXING

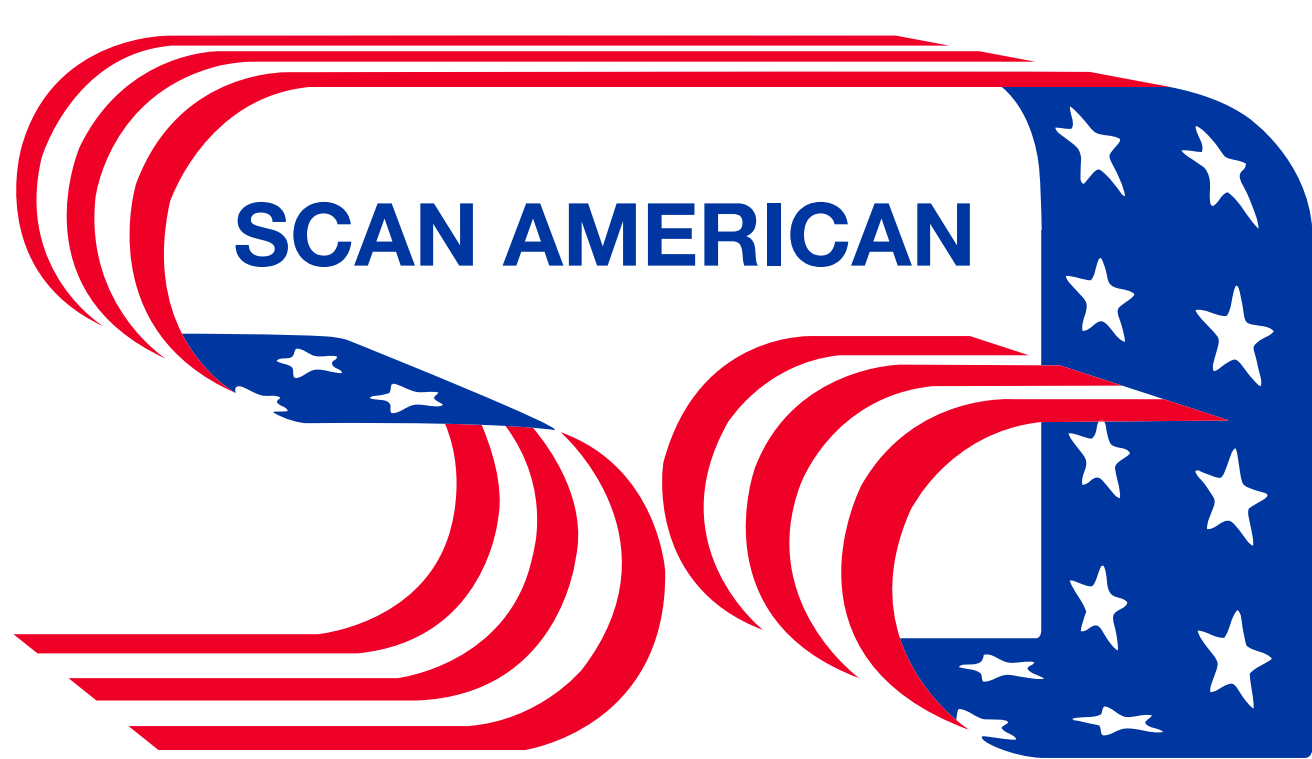
GRINDERS



PUMPS



MIXERS

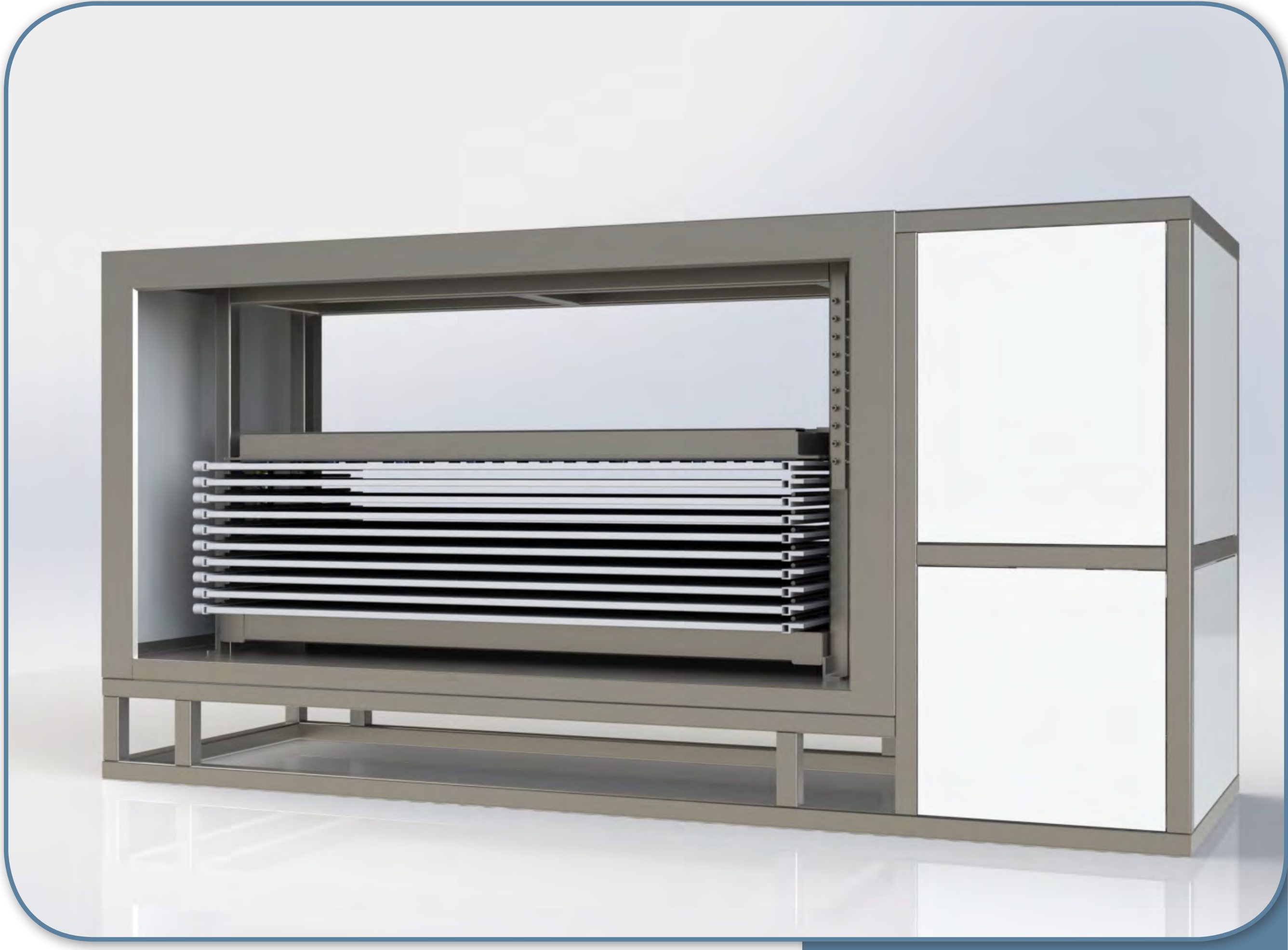


scansteel
foodtech

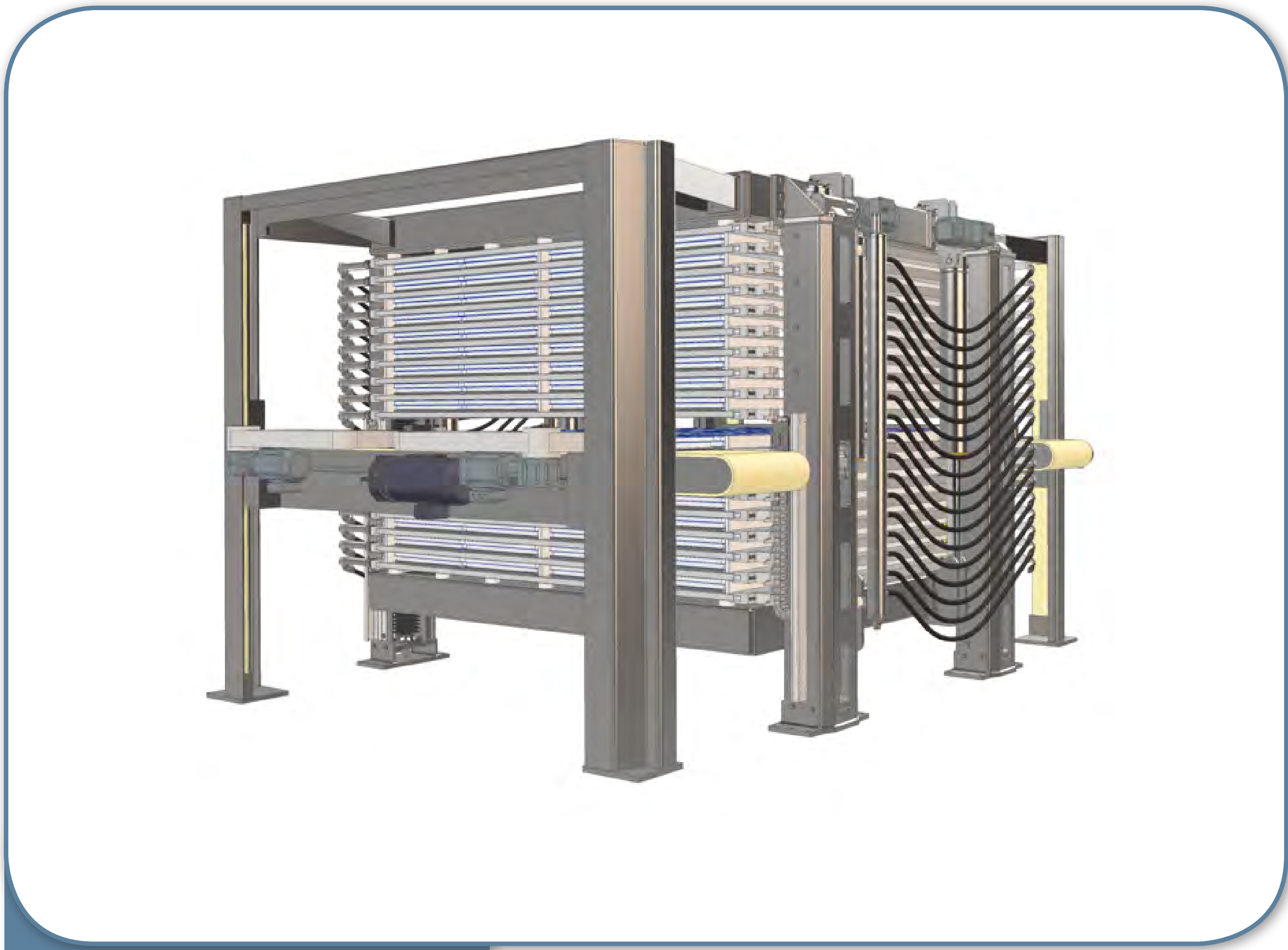
PLATE FREEZERS



VERTICAL FREEZER



HORIZONTAL FREEZER



BLOCK HANDLING

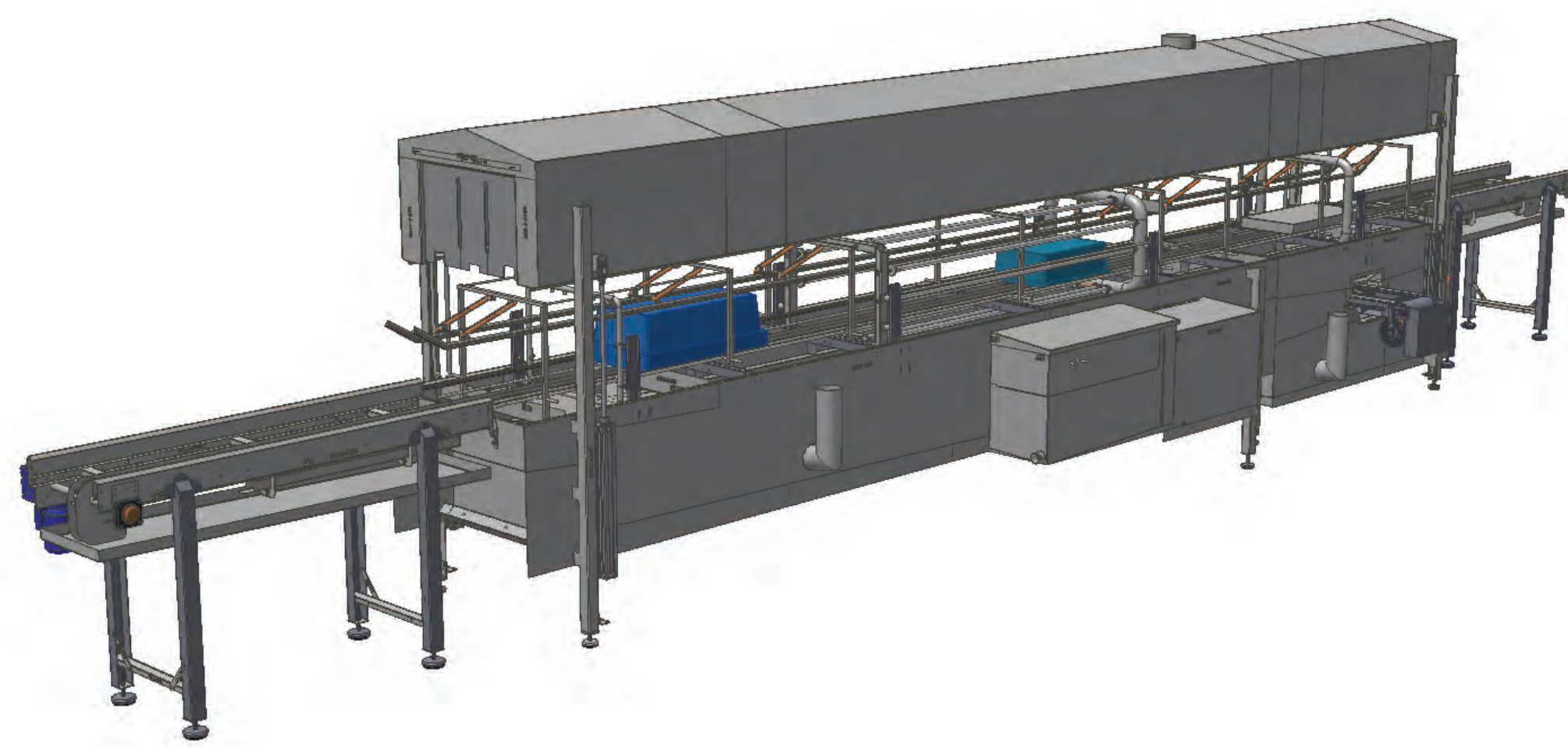


INDUSTRIAL WASHERS

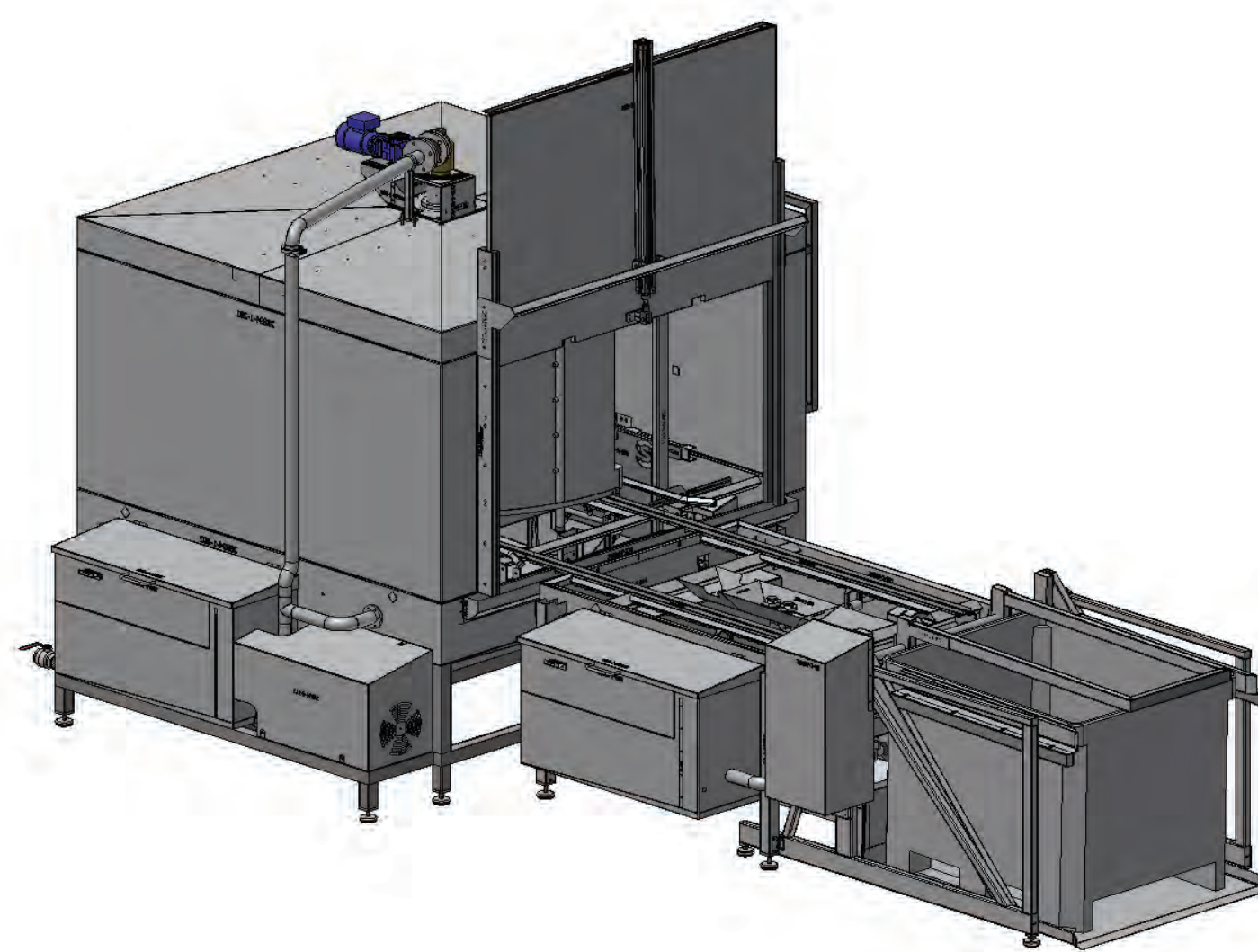
AUTOMATED CLEANING SOLUTIONS



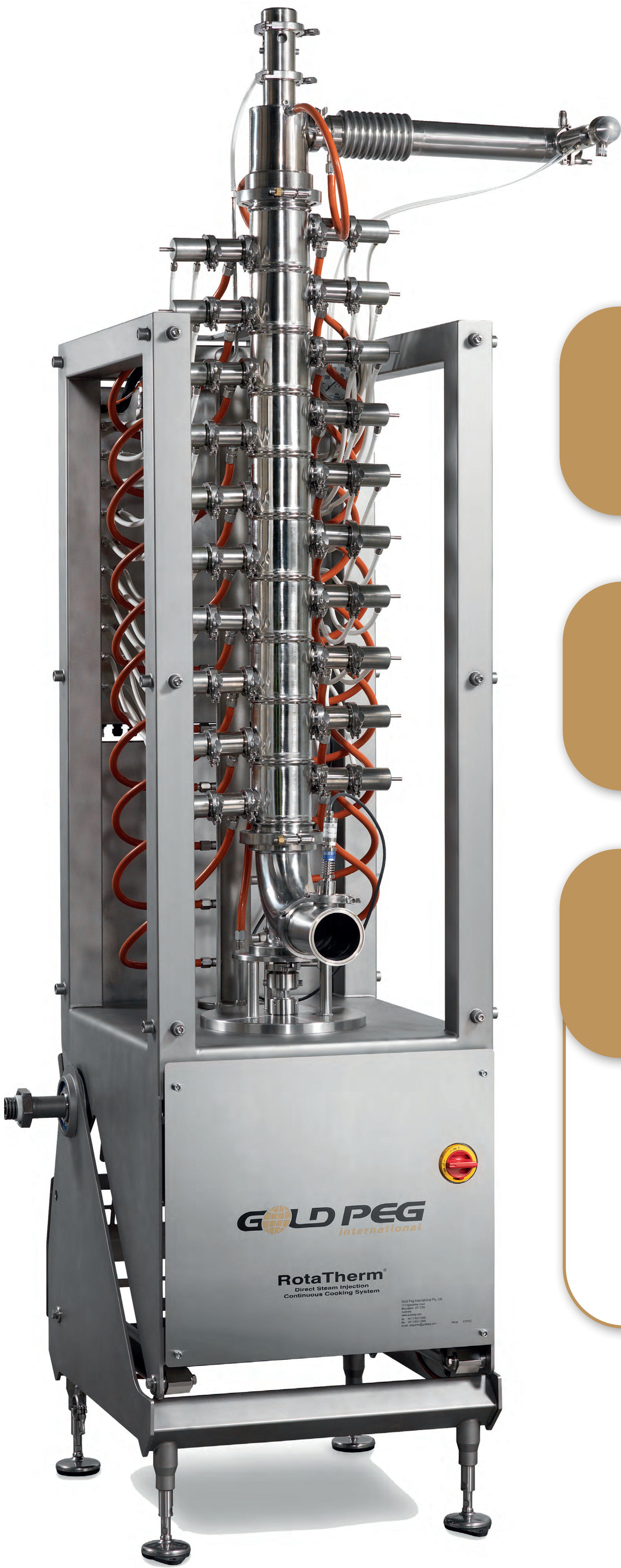
FOOD SAFETY



LABOR SAVINGS



CONTINUOUS COOKING



ROTATHERM®

**ONE STEP
COOKING**

**NONSTOP
PRODUCTION**

**PRODUCT
CONSISTENCY**



AUTOMATIC X-RAY INSPECTION

SAPPHIRE INSPECTION SYSTEMS

CUSTOMIZED SOLUTIONS



PIONEERS OF X-RAY TECHNOLOGY

SUPERIOR CONTAMINANT DETECTION

MASS, MISSING OR BROKEN PRODUCTS



HIGH SENSITIVITY IMAGING

G20

LOW ENERGY TECHNOLOGY



AIR TREATMENT



**ODOR AND GREASE
REMOVAL**

**SURFACE
DISINFECTION**



**ELIMINATE ALL
PATHOGENS**



**KILL AIRBORNE
BACTERIA**



JIMCO FLO-D



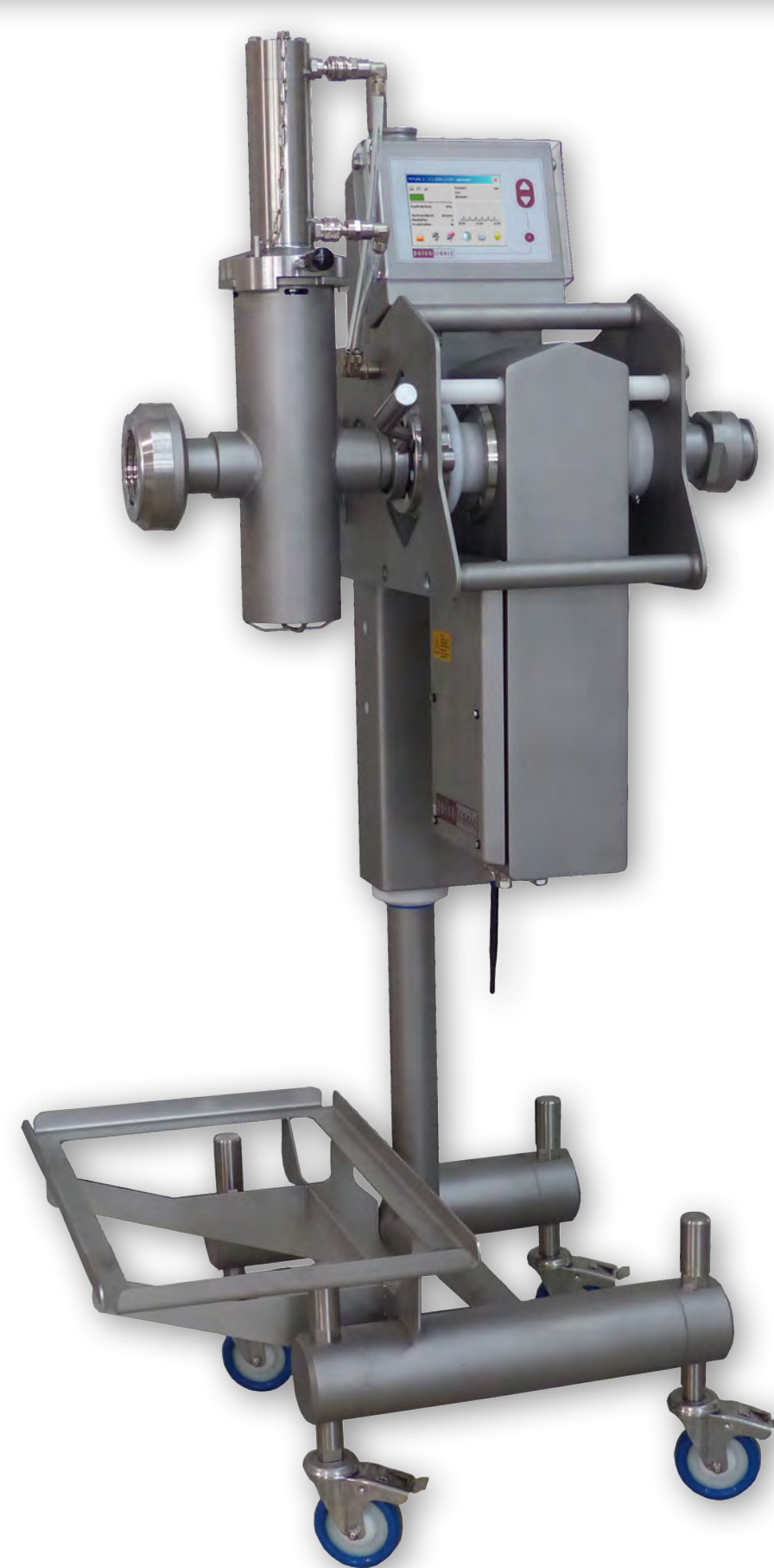
JIMCO[®]
**UV-C & OZONE
Technology**

METAL DETECTORS

CONVEYORS



PIPELINES



CHECKWEIGHERS



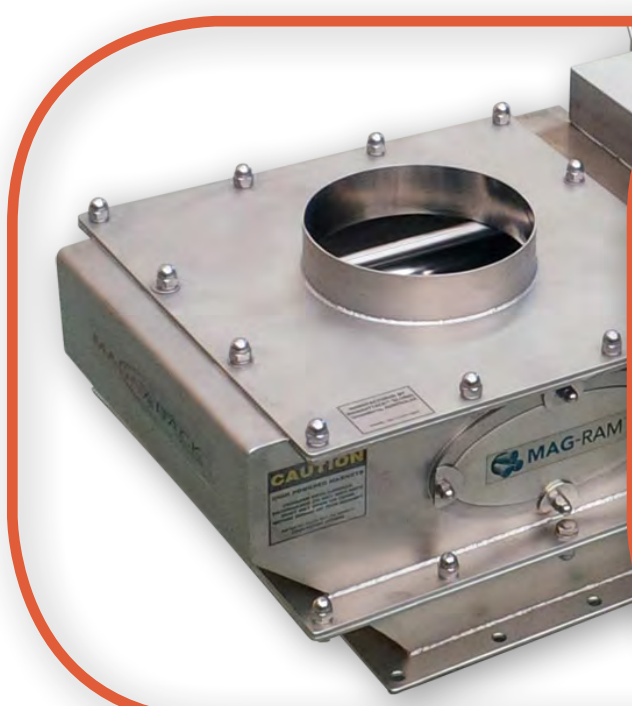
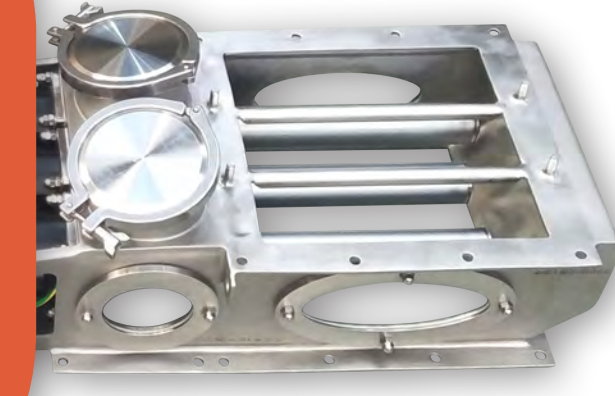
p·u·l·s·o·t·r·o·n·i·c

MAGNETIC SEPARATOR



**METAL FRAGMENT
CONTROL**

**NON-JAMMING
SELF-CLEANING**



**DESIGNED FOR
RENDERED MEALS**



RE80™ MAG-RAM™

