

MODERN PROCESS EQUIPMENT CORPORATION

**CHAIN-VEY**<sup>®</sup>



**THE  
BETTER  
WAY TO CONVEY  
PET FOOD**



[www.CHAINVEY.com](http://www.CHAINVEY.com)

+1.773.254.3929 • SOLUTION@CHAINVEY.COM

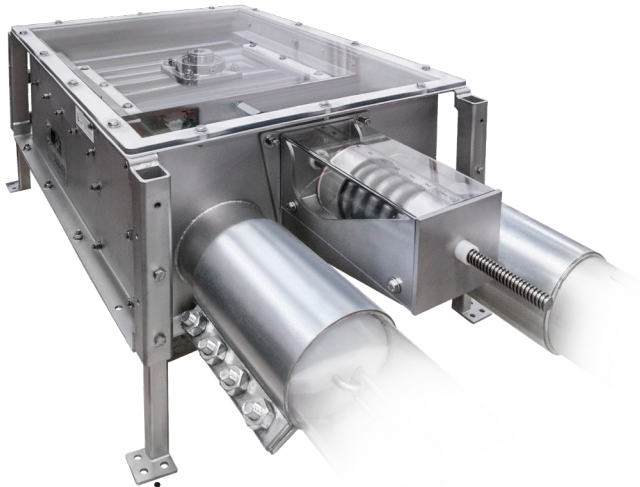
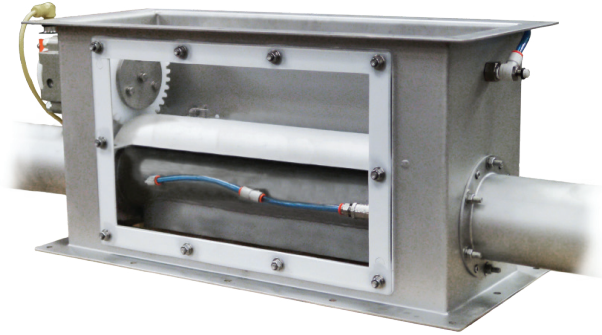


**THE MOST GENTLE & EFFICIENT**  
TRANSPORT AVAILABLE FOR PET FOOD APPLICATIONS

**CHAIN-VEY CONFIGURATION WITH MULTIPLE  
INLETS AND DISCHARGE(S) UP TO 250 FT. AWAY**

**ROTARY DISCHARGE VALVE**

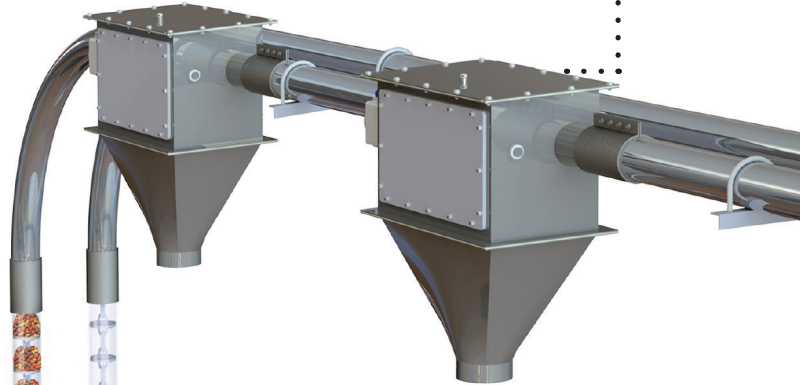
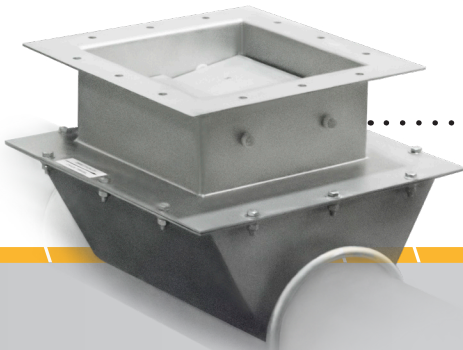
Pneumatically actuated rotary valve allows  
for unobstructed product discharge



**180° TURNAROUND**

**PRODUCT INLET**

With optional flow baffle



**CONNECTION LINK**

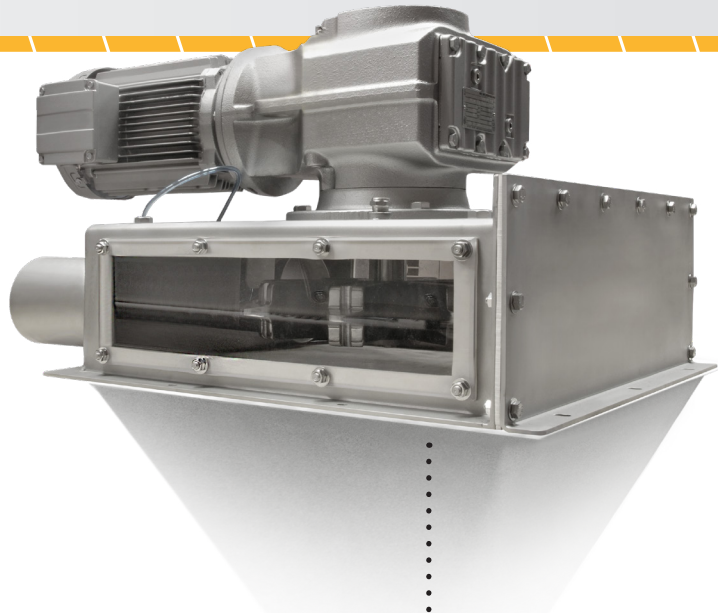
All Nylock hardware with integrated  
polyurethane wiper disc and UHMW  
wear plate



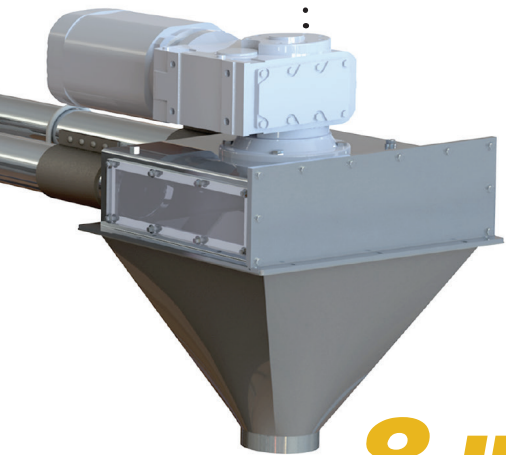


## PROTECT & CONVEY YOUR PET FOOD APPLICATIONS

- Sanitary, FDA-approved materials feature UHMW discs on stainless steel chain or ultra high-strength hardened alloy steel chain
- Customize your conveying capacities from 12,000 to 50,000 lbs/hr
- To handle pet food product over long distance runs, all chain has an ultimate tensile strength of over 16,000 lbs

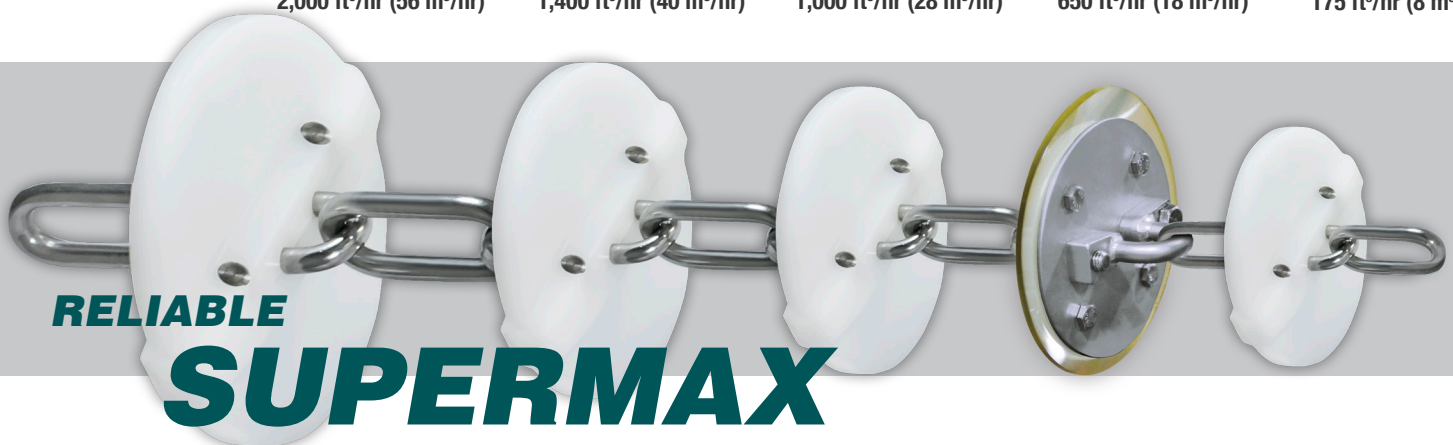


**180° DRIVE UNIT**



## CHOOSE YOUR CONVEYING CAPACITY

<b>8 IN.</b>	<b>6 IN.</b>	<b>5 IN.</b>	<b>4 IN.</b>	<b>3 IN.</b>
2,000 ft <sup>3</sup> /hr (56 m <sup>3</sup> /hr)	1,400 ft <sup>3</sup> /hr (40 m <sup>3</sup> /hr)	1,000 ft <sup>3</sup> /hr (28 m <sup>3</sup> /hr)	650 ft <sup>3</sup> /hr (18 m <sup>3</sup> /hr)	175 ft <sup>3</sup> /hr (8 m <sup>3</sup> /hr)



**RELIABLE**

# SUPERMAX

**CONNECTOR LINK SYSTEM**

**CHAIN-VEY®**

**A DIVISION OF MODERN PROCESS EQUIPMENT CORPORATION**

3125 SOUTH KOLIN AVENUE • CHICAGO, ILLINOIS 60623 U.S.A.

# CHAIN-VEY® VS. OTHER CONVEYING METHODS

CONVEYOR DESIGN FEATURES							
CONVEYOR METHODS	MAINTAINS PARTICLE DISTRIBUTION (INTEGRITY)	AIR / DUST TIGHT	CLEAN-IN-PLACE (CIP)	ENERGY EFFICIENT	EXTENDED LENGTH CAPABILITY	LOW / NO MAINTENANCE	MULTIPLE INLETS / DISCHARGES
<b>CHAIN-VEY®</b>	✓	✓	✓	✓	✓	✓	✓
<b>AUGER/ELEVATOR</b>						✓	
<b>BUCKET ELEVATOR</b>	✓			✓			✓
<b>DENSE PNEUMATIC</b>		✓			✓		✓
<b>DILUTE PNEUMATIC</b>		✓			✓		✓

## TYPICAL CHAIN-VEY® APPLICATIONS

### FOOD

Barley	Cocoa	Cookie Crumbs	Fruit: Dried	Jelly Beans	Oats: Steel Cut	Soluble Corn Fiber	Vitamins: Powdered
Bread Crumbs	Coffee: Green	Crackers	Fruit: Frozen	Krill Oil	Pepper	Soup Mix	Wheat
Brown Sugar	Coffee: Ground	Flour: Corn	Hard Candy	Malt / Meal	Rice: Dried	Spices	
Cereal	Coffee: Roasted	Flour: Wheat	Hops	Oats: Rolled	Rice: Puffed	Tea	
Cheese Powders	Coffee: Whole Bean		Ingredients	Oats: Instant	Snack Foods	Vegetables: Frozen	

### BEANS / NUTS / SEEDS

Almonds	Grains / Seeds	Lentils	Oil Seeds	Peanuts: Roasted	Walnuts
Black Beans	Great Northern Beans	Lima Beans	Pecans	Pinto Beans	
Cocoa Beans	Kidney Beans	Navy Beans	Peanuts: Blanched	Soy Beans	

### PET FOOD

Chicken Meal	Fish Food	Raw Ingredients
Dry Food	Fish Meal	Treats
Fines / Add backs	Horse Feed	Whole Kibble

### CHEMICAL

Biomass (Torrefied)	Coke	Fertilizer	Sodium Bicarbonate
Calcium Carbonate	Detergent	Flake Resin	
Calcium Hydrate	Feed Phosphate	Pesticide	

### MINERAL

Activated Carbon	Ash	Clay	Coal: Dry	Sintered Dust
Activated Coal Ash	Bentonite Clay	Coal	Graphite	Talcum Powder
Alumina Hydrate	Carbonate	Coal: Brown	Limestone	

### OTHER

Latex	Pigments	Shredded Waste	Wood Chips
Litter	Plastics	Tobacco	
Pellets	Sawdust	Wax Flakes	

### DON'T SEE YOUR SPECIFIC APPLICATION?

Contact a MPE Sales Engineer in order to set up product feasibility testing at our Full Scale Chain-Vey Lab located in Chicago, IL, U.S.A.

## CHAIN-VEY®

A DIVISION OF MODERN PROCESS EQUIPMENT CORPORATION

3125 SOUTH KOLIN AVENUE • CHICAGO, ILLINOIS 60623 U.S.A.

WWW.CHAINVEY.COM • E: SOLUTION@CHAINVEY.COM • P: +1.773.254.3929 • F: +1.773.254.3935